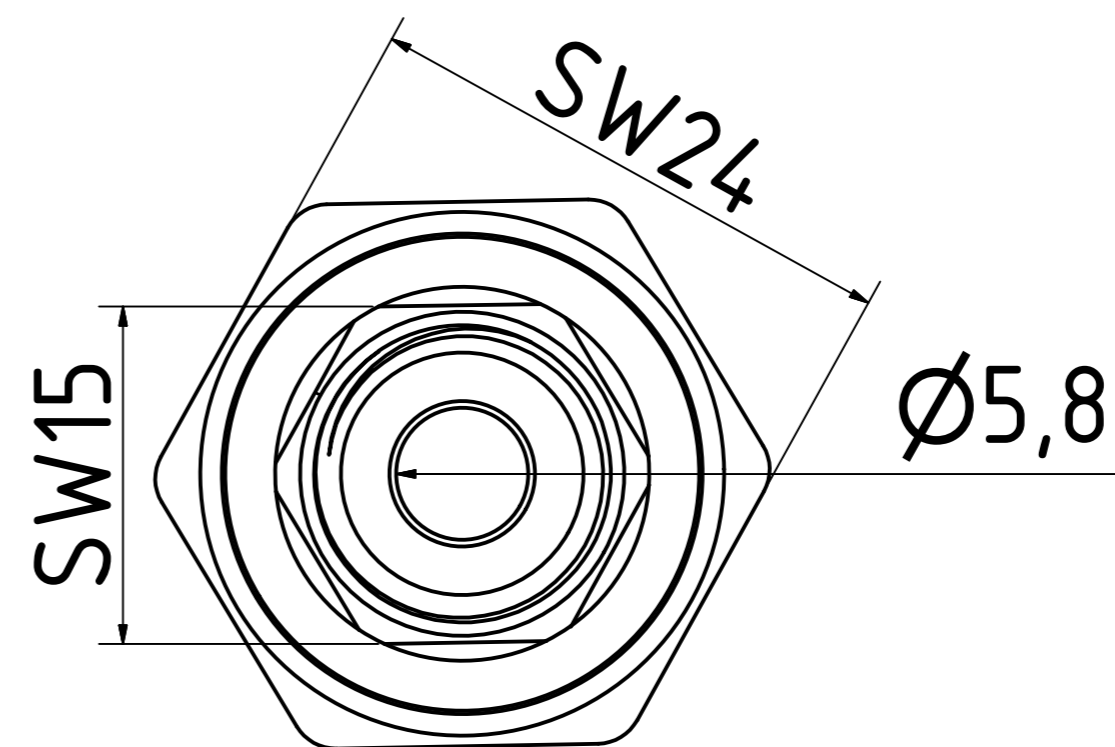
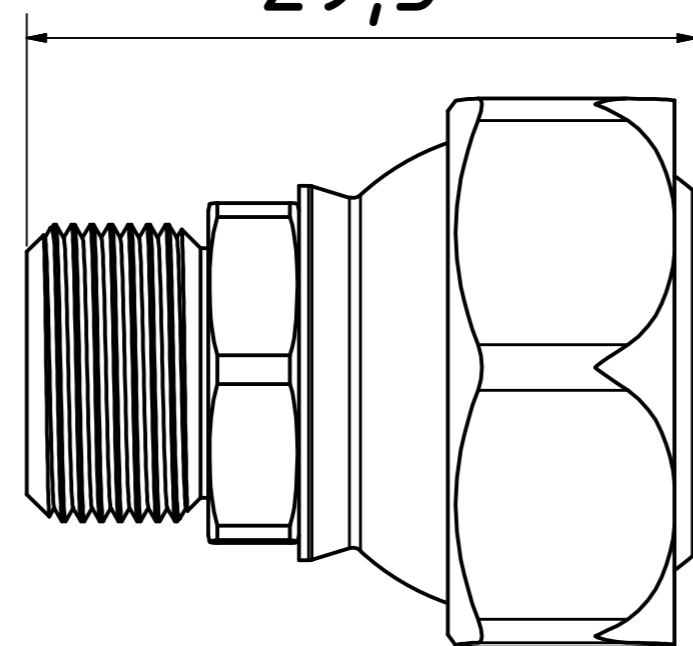


effektive Einbaulänge 16,6

29,5



| | | | | | | | |
|--------|------------|-------|------|--|--|-------------------------|--|
| | | | | | | | |
| | | | | | | | |
| | | | | | | | |
| | | | | | | Reduktion Typ2 zu G1/4" | |
| | | | | | | RE-2-G14 | |
| | | | | | | 1 | |
| | | | | | | A2 | |
| Status | Änderungen | Datum | Name | | | | |